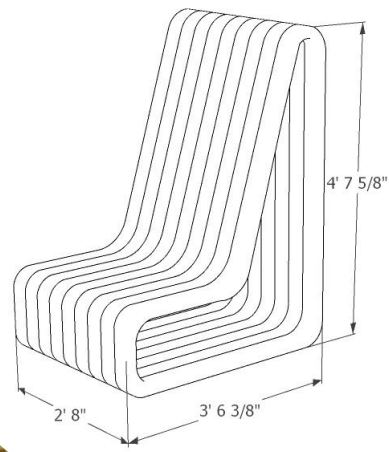


A N N U A L R I N G



Wood is a representation of strength and growth, as is its originator, the tree. The journey of human life and growth is parallel to that of a tree. The tree is a symbol of life, growth and wisdom. It is known as the wise observer of the woods. Just like the tree, change, growth, strength and wisdom is gained in our journey of life through time and aging. We observe the world around us. We age. We change. We grow. In turn, we grow stronger and wiser. The material of wood shows proof of time, aging and change. Just as people do.

The Annual Ring chair is a reflection of the journey of the human and trees alike. With nine stages of human development, there are nine wood laminates representing each stage, while also representing the annual growth rings of a tree. Starting from light wood, gradient to dark wood; representing the beginning and end of life. The structure of the chair has no beginning and no end, just like the circle of life. Like a tree on its journey of life, sit up tall, be still, observe the world around you, let time pass, reflect and grow in the Annual Ring chair.



Ashwood Bone



Grayed Oak



Ashwood Beige



Hazel Walnut



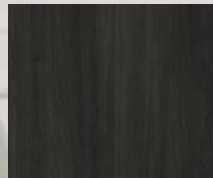
Camel Elm



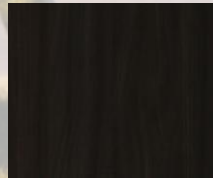
Formal Walnut



Antique Mango



Inked Oak



Graphite Elm

FORMICA WOOD GRAIN LINE



